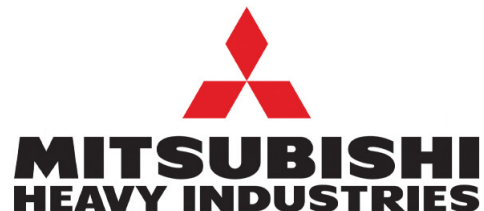




# TEMPERATURE CONTROL FOR TODAY & TOMORROW



**FDTC60ZSXVH**

**5.6 KW**



Unitate internă : FDTC60VH



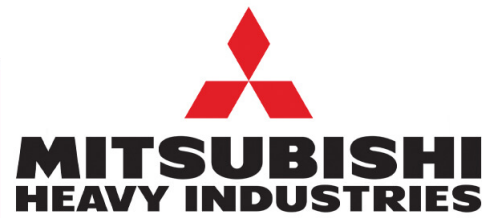
Unitate externă : SRC60ZSX-S

## Specificații tehnice

Unitate internă		FDTC60VH	
Unitate externă		SRC60ZSX-S	
Sursă de alimentare		Monofazic 220-240V, 50Hz / 220V, 60Hz	
Capacitate nominală de răcire (Min~Max)		kW	5.6 ( 1.1 ~ 6.3 )
Capacitate nominală de încălzire (Min~Max)		kW	6.7 ( 0.6 ~ 6.7 )
Consum de energie	Răcire/Încălzire	kW	1.76 / 2.14
EER/COP	Răcire/Încălzire		3.18 / 3.13
Curent de intrare		A	5
Amperaj maxim		A	15
Nivel putere sonoră* <sup>1</sup>	U.I.	Răcire/Încălzire	60 / 60
	U.E.	Răcire/Încălzire	65 / 64
Nivel presiune sonoră* <sup>1</sup>	U.I.	Răcire (Hi/Me/Lo/Ulo)	46 / 42 / 38 / 31
		Încălzire (Hi/Me/Lo/Ulo)	46 / 42 / 38 / 31
	U.E.	Răcire/Încălzire	52 / 52
	Flux de aer	U.I.	Răcire (Hi/Me/Lo/Ulo)
Încălzire (Hi/Me/Lo/Ulo)			14 / 12 / 10 / 8
	U.E.	Răcire/Încălzire	41.5 / 39
Dimensiuni exterioare	U.I.	Înălțime / Lățime / Adâncime	Unitate: 248 x 570 x 570 Panou: 10 x 620 x 620
	U.E.		640 x 800(+71) x 290
Greutate netă	U.I. / U.E.	kg	16.5(Unitate:14 Panou standard:2.5) / 45
Refrigerant	Tip/GWP		R410A/2088
Refrigerant	Încărcare	kg/TCO <sub>2</sub> Eq	1.5/3.132
Dimensiuni țevă refrigerant	Lichid/Gaz	mm/∅	6.35(1/4") / 12.7(1/2")
Lungime țevă refrigerant (o direcție)		m	Max.30
Diferență de nivel suportată	Unitate externă este mai sus/măi jos	m	Max.20 / Max.20
Interval de funcționare - temperatură exterioară	Răcire* <sup>2</sup>	°C	-15~46
	Încălzire		-20~24
Panou		TC-PSA-5AW-E, TC-PSAE-5AW-E(Fagure) / TC-PSAG-5AW-E, TC-PSAGE-5AW-E(Grid)	
Filtru de aer (cantitate)		Filtru lavabil din plastic x 1 (Lavabil)	
Telecomandă (opțional)		Cu fir:RC-EX3A, RC-E5, RCH-E3 Wireless:RCN-TC-5AW-E2, -E3	
Clasa Energetică (Răcire/Încălzire)		A++/A+	
SEER		6.39	
SCOP (Climat temperat)		4.09	
Pdesign (răcire/încălzire(@-10°C))		kW	5.6/5.4
Consumul anual de electricitate (răcire/încălzire)		kWh/a	307/1848
Performanța pe modul încălzire		Climat temperat	

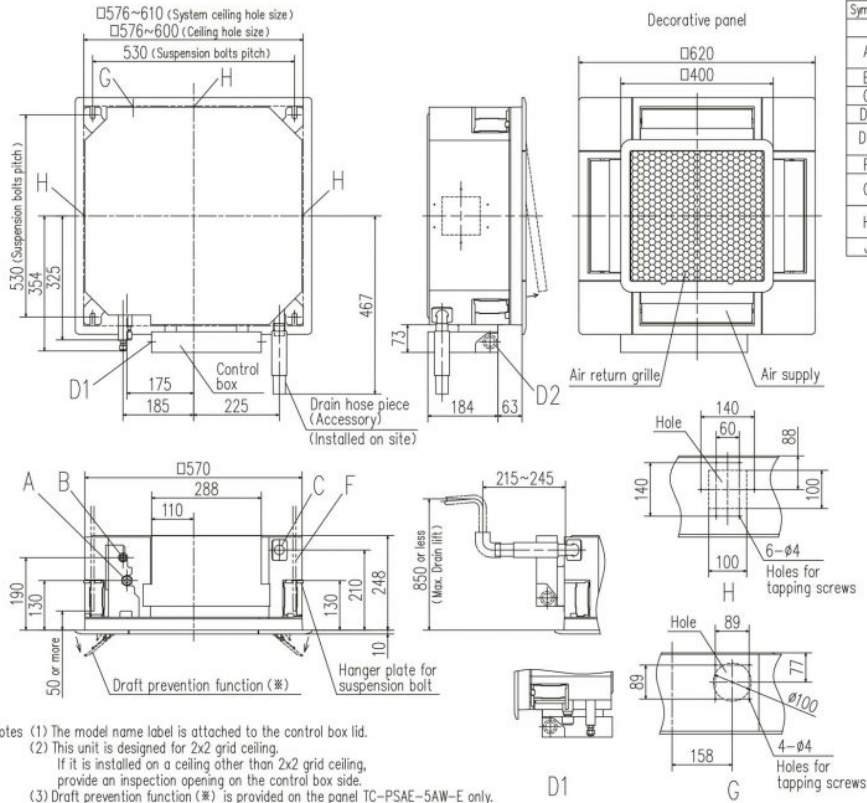


# TEMPERATURE CONTROL FOR TODAY & TOMORROW

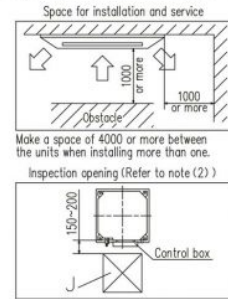


## Schema tehnică

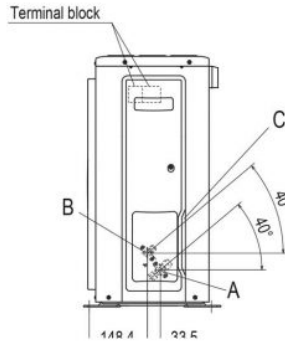
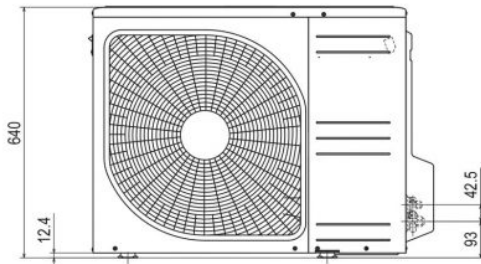
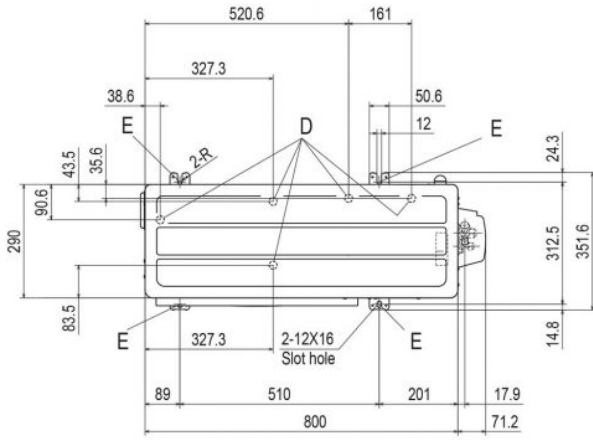
### ■ DIMENSIONS (Unit:mm) - FDTC -



Symbol	Content	
	Model	25,35 40,50,60
A	Gas piping	ø9.52 (3/8") (Flare) ø12.7 (1/2") (Flare)
B	Liquid piping	ø6.35 (1/4") (Flare)
C	Drain piping	VP25 (O.D.32)
D1	Power supply connection	
D2	Remote control code and signal wiring connection	
F	Suspension bolts	(M10 or M8)
G	Outside air opening for ducting	(Knock out)
H	Air outlet opening for ducting	ø125 (Knock out)
J	Inspection opening	450X450



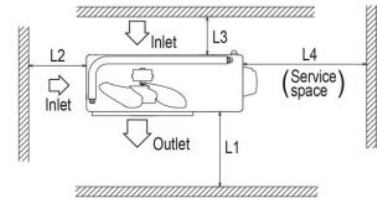
- Notes (1) The model name label is attached to the control box lid.  
 (2) This unit is designed for 2x2 grid ceiling. If it is installed on a ceiling other than 2x2 grid ceiling, provide an inspection opening on the control box side.  
 (3) Draft prevention function (※) is provided on the panel TC-PSAE-5AW-E only.



Symbol	Content	
A	Service valve connection (Gas side)	φ 12.7(1/2") (Flare)
B	Service valve connection (Liquid side)	φ 6.35(1/4") (Flare)
C	Pipe/cable draw-out hole	
D	Drain discharge hole	φ 20×5 places
E	Anchor bolt hole	M10-12×4 places

Notes

- (1) The unit must not be surrounded by walls on the four sides.
- (2) The unit must be fixed with anchor bolts. An anchor bolt must not protrude more than 15mm.
- (3) If the unit is installed in the location where there is a possibility of strong winds, place the unit such that the direction of air from the outlet gets perpendicular to the wind direction.
- (4) Leave 200mm or more space above the unit.
- (5) The wall height on the outlet side should be 1200mm or less.
- (6) The model name label is attached on the front side of the unit.



Minimum installation space

Examples installation Size	Minimum installation space			
	I	II	III	IV
L1	Open	280	280	180
L2	100	75	Open	Open
L3	100	80	80	80
L4	250	Open	250	Open