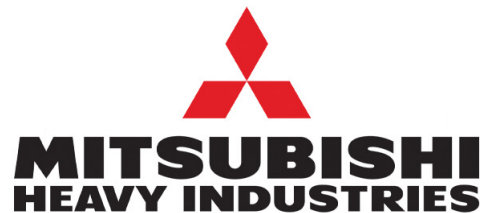




TEMPERATURE CONTROL FOR TODAY & TOMORROW



SRK125VSAWPZSX

12.5 KW



Unitate internă : SRK60ZSX-W-x-2



Unitate externă : FDC125VSA-W

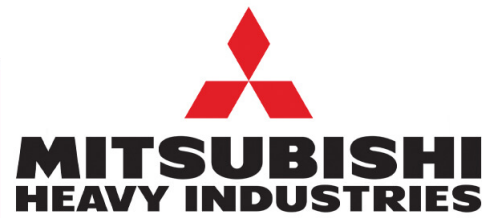
Specificații tehnice

R32

Unitate internă		SRK60ZSX-W x 2	
Unitate externă		FDC125VSA-W	
Sursă de alimentare		Trifazic 380-415V, 50Hz / 380V, 60Hz	
Capacitate nominală de răcire (Min-Max)		kW	12.5 (5.0 ~ 14.0)
Capacitate nominală de încălzire (Min-Max)		kW	14.0 (4.0 ~ 16.0)
Power Consumption	Răcire/Încălzire	kW	4.54 / 3.58
EER/COP	Răcire/Încălzire	kW	2.76 / 3.91
Curent de intrare		A	5
Max. current		A	15
Nivel putere sonoră*1	U.I.*3	Răcire/Încălzire	62 / 63
	U.E.	Răcire/Încălzire	71 / 71
Nivel presiune sonoră*1	U.I.*3	Răcire (P-Hi/Hi/Me/Lo)	46 / 41 / 33 / 22
		Încălzire (P-Hi/Hi/Me/Lo)	46 / 42 / 34 / 23
	U.E.	Răcire/Încălzire	54 / 56
Flux de aer	U.I.*3	Răcire (P-Hi/Hi/Me/Lo)	16.3 / 13.4 / 8.9 / 5.4
		Încălzire (P-Hi/Hi/Me/Lo)	17.8 / 13.7 / 10.9 / 6.2
	U.E.	Răcire/Încălzire	75 / 73
Exterior dimensions	U.I.	HeightxWidthxDepth	mm 305 x 920 x 220
	U.E.		mm 845 x 970 x 370
Greutate netă	U.I./U.E.	kg	13 / 78
Refrigerant Type GWP			R32/675
Ref.piping size	Lichid/Gaz	Ă,mm	9.52(3/8") / 15.88(5/8")
Lungime țevă refrigerant (o direcție)		m	Max.50
Diferență de nivel suportată	Unitate externă este mai sus/mai jos	m	Max.50 / Max.15
Interval de funcționare - temperatură exterioară	Răcire*2	°C	-15~50
	Încălzire	°C	-20~20
Filtru de aer, cantitate			Polypropylene net x 2(washable)
Telecomandă (opțional)			Cu fir:RC-EX3A, RC-E5, RCH-E3 & Interface kit:SC-BIKN2-E



TEMPERATURE CONTROL FOR TODAY & TOMORROW



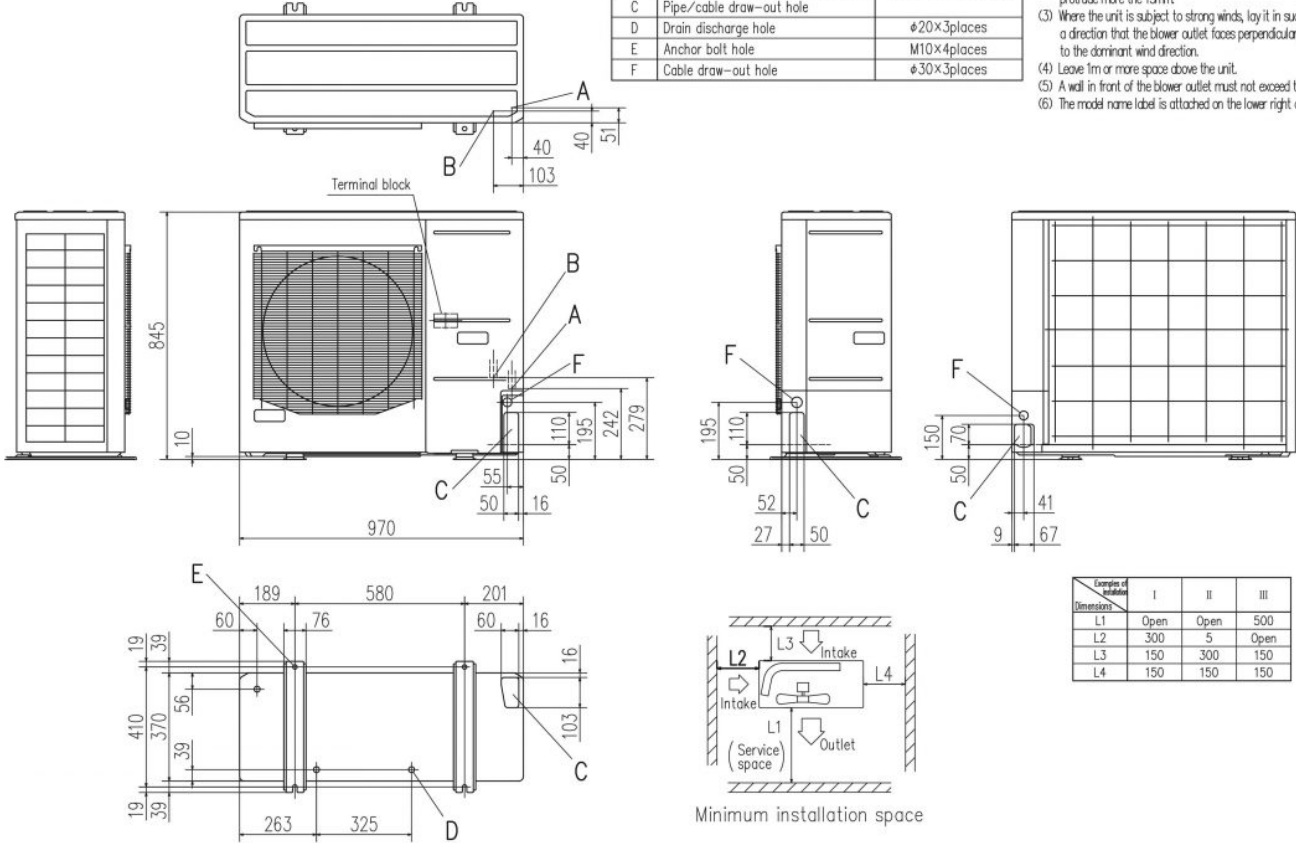
Schema tehnică

FDC100VNA-W, 125VNA-W, 140VNA-W, 100VSA-W, 125VSA-W, 140VSA-W
FDC100VNA, 125VNA, 140VNA, 100VSA, 125VSA, 140VSA

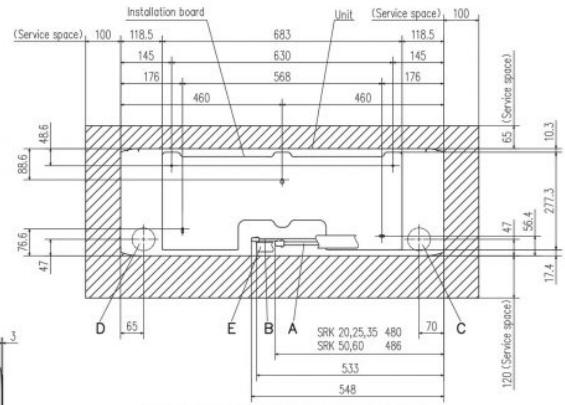
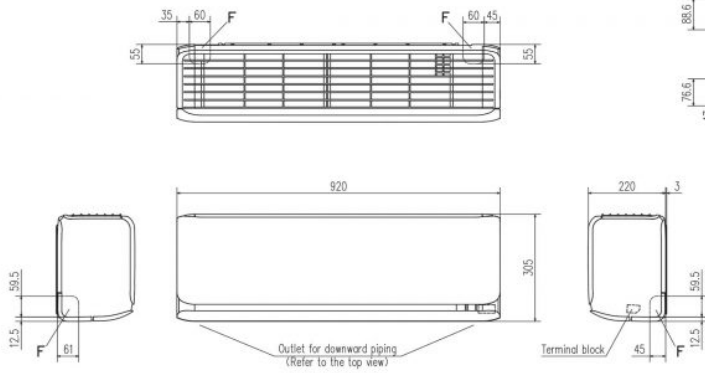
Symbol	Content	
A	Service valve connection (gas side)	φ15.88 (5/8") (Flare)
B	Service valve connection (liquid side)	φ9.52 (3/8") (Flare)
C	Pipe/cable draw-out hole	
D	Drain discharge hole	φ20×3places
E	Anchor bolt hole	M10×4places
F	Cable draw-out hole	φ30×3places

Notes

- (1) It must not be surrounded by walls on the four sides.
- (2) The unit must be fixed with anchor bolts. An anchor bolt must not protrude more than 15mm.
- (3) Where the unit is subject to strong winds, lay it in such a direction that the blower outlet faces perpendicularly to the dominant wind direction.
- (4) Leave 1m or more space above the unit.
- (5) A wall in front of the blower outlet must not exceed the unit's height.
- (6) The model name label is attached on the lower right corner of the front panel.



**SRK20ZSX-W, -WB, -WT SRK25ZSX-W, -WB, -WT
 SRK35ZSX-W, -WB, -WT SRK50ZSX-W, -WB, -WT
 SRK60ZSX-W, -WB, -WT**



Space for installation and service when viewing from the front

Symbol	Content
A	Gas piping SRK 20,25,35 $\varnothing 9.52$ (3/8") (Flare) SRK 50,60 $\varnothing 12.7$ (1/2") (Flare)
B	Liquid piping $\varnothing 6.35$ (1/4") (Flare)
C	Hole on wall for right rear piping ($\varnothing 65$)
D	Hole on wall for left rear piping ($\varnothing 65$)
E	Drain hose VP16
F	Outlet for piping